

# OrthoDeck 20 Orthodontic Workstation (Item D1F1)



Monitor and computer not included.  
Slat wall accessories sold separately (see p. 88).

All the **clinical power** of our OrthoDeck 24 in an even more **compact profile!**

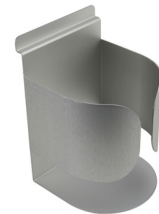
At under 20 inches in width, the OrthoDeck 20 provides exceptional delivery in a very tight package.

**Customize** to suit *your* needs.

Slat Wall siding on the OrthoDeck 20 opens up a wide range of accessory storage. See page 88 for options.



**M3B8**  
Single Glove Box Holder



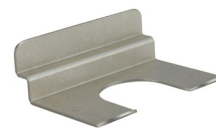
**M3B5**  
Sanitation Wipes Holder



**M3B2**  
Sharps Container Holder



**M3B1**  
Remote Holder



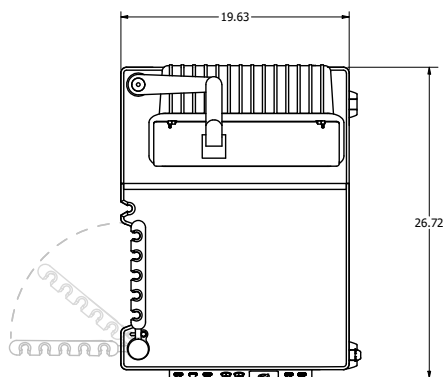
**M3B4** - Goodie Bag Holder

## Standard Clinical Features

- 1 High Speed Air
- 1 Low Speed Air
- 1 A/W Syringe
- 1 HVE
- 1 Saliva Ejector
- 5-socket Articulating Handpiece Holder Arm
- 1 Milled Handpiece Holder
- EP Consumable Bin
- 2-liter Self-contained Water

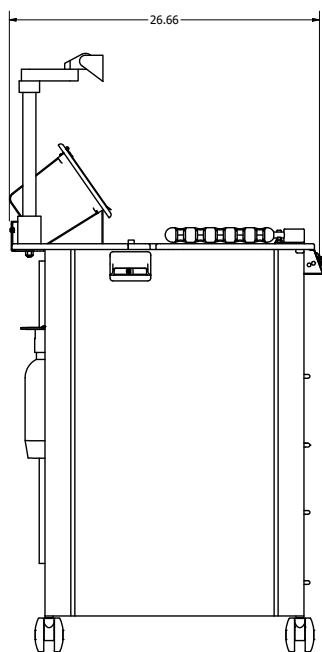
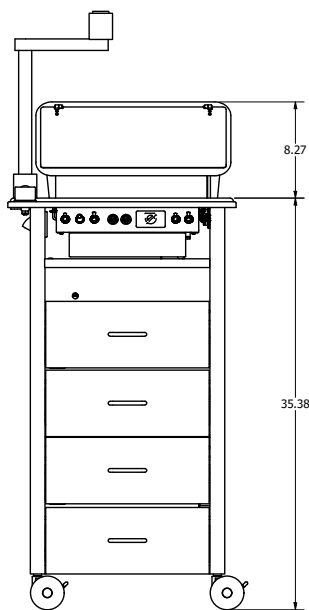
## Standard Configuration Features

- Keyboard Slide
- Monitor Arm
- 3 Power Outlets
- 3 USB Ports (power only)
- Slat Wall Side for Accessory Flexibility



Standard utilities connection for the OrthoDeck 20 Workstation is made in a toe-of-chair floor mounted junction box.

As options, the power channel may be pre-wired to receive an integrated Scaler at a later date. Additionally, the channel itself can be configured to allow hot-swapping of replacements (see below).



#### ⚡ Electrical Specifications

120v AC, 60HZ, 8A  
Cat 5 or better Data Jack

#### 🌀 Air / Vacuum Specifications

Air: 3/8" Dental Style Female QD, 80 psi  
Vacuum: 1/2" Copper or PVC Pipe

#### 💧 Plumbing Specifications

Self-contained bottle only

## COLOR CHOICES

### Corian Work Surface:

- Available in standard and premium EP Corian color choices.

### Cabinet Color/Finish Selection:

- Cabinet available in standard EP color choices.
- or - Upgrade to woodgrain finish. (Standard EP selections)

## UPGRADES - see page 15 for details

### Power Channel

- Hot-swappable Channel

### Scalers:

- Integrated Woodpecker Scaler
- Pre-wire only (Scaler)

### Curing Light:

- The Cure TC-01 (Spring Health)

### Fiber Optics:

- Fiber Optics Light Source & Power Pack

### \*Additional Handpieces/Utilities:

- 2nd Air/Water Syringe
- 1 Dedicated Air Syringe
- 2nd High Volume Suction
- Auxiliary Air/Water Ports

\*Milled holder accommodates one add'l instrument

## CONFIGURATION OPTIONS

### Base style:

- Mobile, with locking, high-impact casters
- or - Fixed Base (no wheels)

### Drawer options:

- 4 Drawers
- or - 3 Drawers & 1 Drop-front storage compartment

