

# OrthoDeck 24 Orthodontic Workstation (Item D1F2)



Monitor and computer not included.  
Slat wall accessories sold separately (see p. 88).

**More features and better design** make this the most **efficient** and **flexible** orthodontic delivery platform available.

Our Orthodontic Workstations pack a full array of utilities into a small, mobile profile. This modern redesign of the classic (and inefficient) Ortho cart improves productivity while saving floor space.

## Flexible Delivery and Presentation.

The handpiece bracket swings in a 180° arc for perfect positioning in both the mobile and fixed-base models - without hindering your access to supplies.

An integrated power/USB strip and articulating monitor bracket allow rapid access to all of your data at a moment's notice.

## Smarter, more accessible storage.

The drawers on our Workstations are designed to receive standard Zirc tubs for easy restocking and specialty kits. But what about the supplies you use for every appointment? The rack-mounted EP Consumables Bin puts these items right at your fingertips for exceptional efficiency.

Slat Wall siding on the OrthoDeck 24 opens up a wide range of accessory storage. See page 88 for options.

## Highest quality materials.

As with our other Workstations, the OrthoDeck power channels are built to last, right here in the USA.

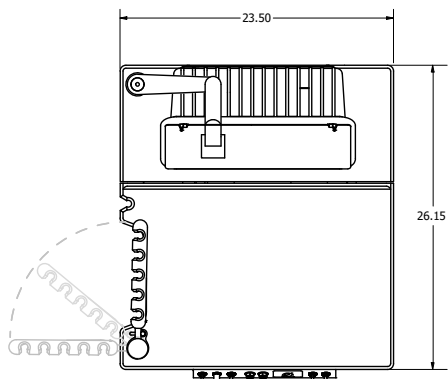
A large Corian work-surface, aircraft-grade aluminum framing and oversize casters for the mobile delivery version deliver unparalleled reliability and performance.

## Standard Clinical Features

- 1 High Speed Air
- 1 Low Speed Air
- 1 A/W Syringe
- 1 HVE
- 1 Saliva Ejector
- 5-socket Articulating Handpiece Holder Arm
- 1 Milled Handpiece Holder
- EP Consumable Bin
- 2-liter Self-contained Water

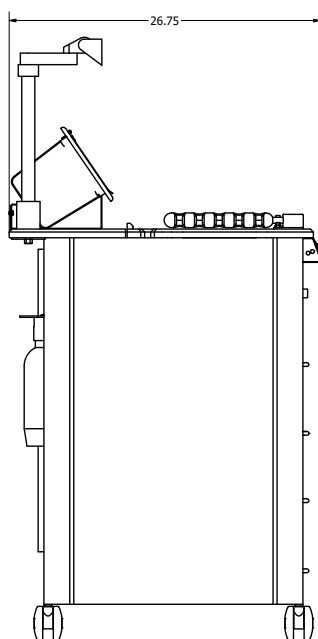
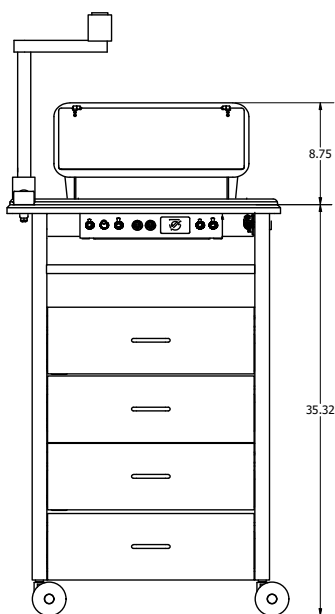
## Standard Configuration Features

- Keyboard Slide
- Monitor Arm
- 3 Power Outlets
- 3 USB Ports (power only)
- Slat Wall Side for Accessory Flexibility



Standard utilities connection for the OrthoDeck 24 Workstation is made in a toe-of-chair floor mounted junction box.

As options, the power channel may be pre-wired to receive an integrated Scaler at a later date. Additionally, the channel itself can be configured to allow hot-swapping of replacements (see below).



#### ⚡ Electrical Specifications

120v AC, 60HZ, 8A  
Cat 5 or better Data Jack

#### 🌀 Air / Vacuum Specifications

Air: 3/8" Dental Style Female QD, 80 psi  
Vacuum: 1/2" Copper or PVC Pipe

#### 💧 Plumbing Specifications

Self-contained bottle only

## COLOR CHOICES

### Corian Work Surface:

- Available in standard and premium EP Corian color choices.

### Cabinet Color/Finish Selection:

- Cabinet available in standard EP color choices.
- or - Upgrade to woodgrain finish. (Standard EP selections)

## UPGRADES - see page 15 for details

### Power Channel

- Hot-swappable Channel

### Scalers:

- Integrated Woodpecker Scaler
- Pre-wire only (Scaler)

### Curing Light:

- The Cure TC-01 (Spring Health)

### Fiber Optics:

- Fiber Optics Light Source & Power Pack

### \*Additional Handpieces/Utilities:

- 2nd Air/Water Syringe
- 1 Dedicated Air Syringe
- 2nd High Volume Suction
- Auxiliary Air/Water Ports

\*Milled holder accommodates one add'l instrument

## CONFIGURATION OPTIONS

### Base style:

- Mobile, with locking, high-impact casters
- or - Fixed Base (no wheels)

### Drawer options:

- 4 Drawers
- or - 3 Drawers & 1 Drop-front storage compartment

