



ergonomic products
Performance Without Compromise™



Revolutionizing
ORTHODONTIC
and **PEDODONTIC** Solutions

www.ergonomic-products.com

At Ergonomic Products, your **complete satisfaction** is our mission. To that end, we offer the industry's **most comprehensive guarantee**. Here is our...

100%, "NO COMPROMISE" Money Back Guarantee

If our equipment doesn't substantially improve your **Productivity, Efficiency and Physical Well-being...**



...we'll take
it back.

**Buy with
CONFIDENCE**

*Produce
with Ease*



198 Airport Road | Fall River, MA 02720 | 866-374-6487
www.ergonomic-products.com

Ergonomic Products

Orthodontic and Pedodontic Solutions That Make
Dental Practice **Easier, Faster and More Comfortable**

The EP Story Our founder, David J. Ahearn, DDS



25 years ago, I began a long journey of exploration with one goal: to improve dentistry for patient and clinician alike.

You're probably familiar with our work with general practice. Our offices are the most productive facilities in the nation - largely due to our understanding of the Toyota Production System which has made that company the most profitable automobile manufacturer for decades.

In recent years, due to economic pressures in the specialty market, practitioners such as yourself have requested that we apply some of the same principles to transforming their efficiency and comfort. The results are what you see here.

I look forward to helping you comfortably bring your office to a new level of performance.

David J. Ahearn, DDS

Contents:

New Design Options	4	Sterilization Solutions	
Delivery Solutions		Desergo™ Compact Steri Center	16
OrthoDeck 24 Orthodontic Workstation	6	Desergo™ Enhanced Steri Center	18
OrthoDeck 20 Orthodontic Workstation	8	Desergo™ Elite Steri Center	20
OrthoHub and Spire Delivery	10	Slat Wall & Slat Wall Accessories	22
Harmony Headwall Delivery	12	Finish Selections	23
Pedodontic Seating & Delivery			
SpriteTx™ Pediatric Lift Bench	14		

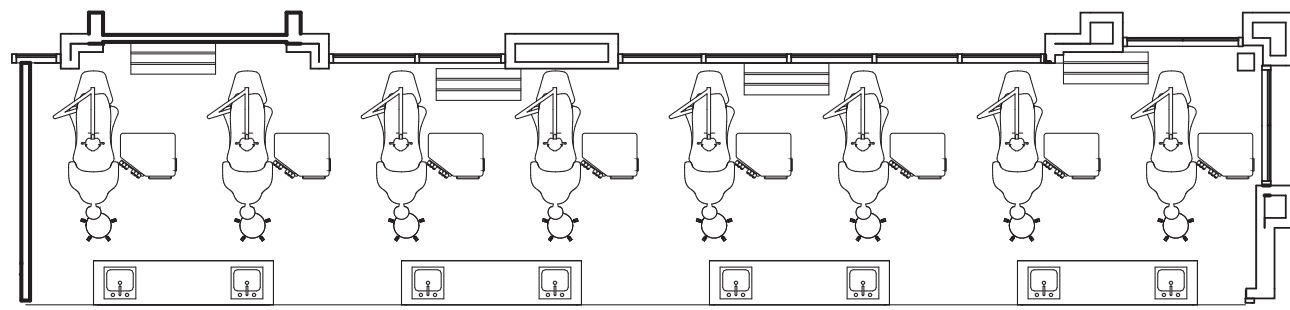
Our team of dedicated Practice Liaisons are happy to answer questions about current pricing, new products or features, and volume discounts where available. We look forward to speaking with you!

Please note: We continually strive to improve our products and provide you with the most advanced dental equipment solutions possible. As a result of this pursuit of excellence, our current product line may differ from some of the photos presented here.

New Design Options for Increased Performance

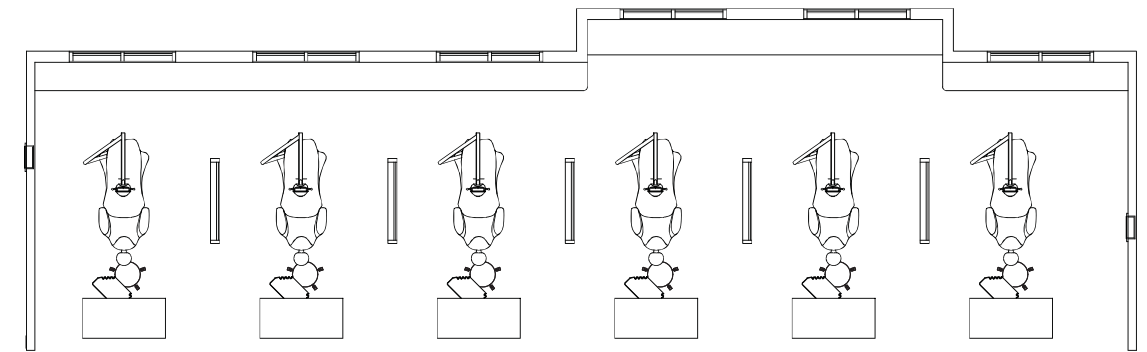
Traditional Open Bay

Traditional Ortho Bay design has been the standard for over 50 years. The principles essential for optimal bay function have included both an abundance of orthodontic assistant labor and a minimal amount of parental...interaction...during the treatment process. In most communities in North America, both of these essential ingredients have become compromised.



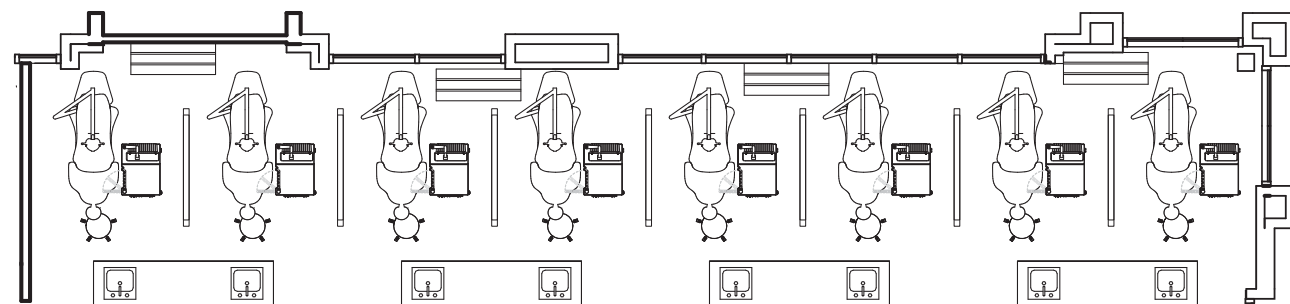
Hybrid Ortho/Pedo Bays

There has been significant growth in Ortho/Pedo hybrid bays. The opportunity for shared use brings great benefits in locations that may not currently support full time specialty practice. The Harmony Design, due to its extremely long arm-travel, permits highly productive practice for both orthodontic and pediatric specialties while safely keeping handpieces well out of the reach of very young (and overly curious) patients.

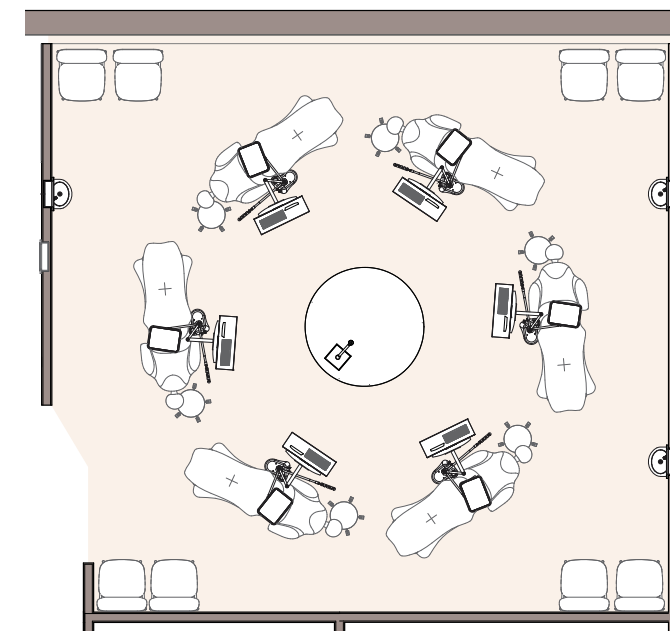


Semi-Private Bay

Semi-Private Bay Design has been made much more popular during the COVID period. While much of the epidemiological rationale has diminished, there is still a lingering concern for both privacy and infection control by parents regarding fully open bays. This has resulted in the need to create more compact and efficient orthodontic delivery systems such as the OrthoDeck 20 & 24 which provide both more open space and improved access at the same time.



Radial Ortho Bay



The greatest challenge facing orthodontic and pedodontic practices today is certainly not demand; it is today's labor availability. Marko Vujicic, Chief Economist and Vice President of the ADA's Health Policy Institute, has stated that he anticipates this labor shortage to extend throughout the *decade*. Clearly the days of economical labor in the specialty marketplace are over. It was with this core concern that Dr. Ahearn and the productivity professionals at our company initiated the first comprehensive reevaluation of orthodontic workflow in decades.

Our findings indicate that radial flow, when combined with improved assistants' access to materials and supplies, has the potential to markedly improve performance while simultaneously reducing labor by 30% or more.



Monitor and computer not included.
Slat wall accessories sold separately (see p. 22).

More features and better design make this the most **efficient** and **flexible** orthodontic delivery platform available.

Our Orthodontic Workstations pack a full array of utilities into a small, mobile profile. This modern redesign of the classic (and inefficient) Ortho cart improves productivity while saving floor space.

Flexible Delivery and Presentation.

The handpiece bracket swings in a 180° arc for perfect positioning in both the mobile and fixed-base models - without hindering your access to supplies.

An integrated power/USB strip and articulating monitor bracket allow rapid access to all of your data at a moment's notice.

Smarter, more accessible storage.

The drawers on our Workstations are designed to receive standard Zirc tubs for easy restocking and specialty kits. But what about the supplies you use for every appointment? The rack-mounted EP Consumables Bin puts these items right at your fingertips for exceptional efficiency.

Slat Wall siding on the OrthoDeck 24 opens up a wide range of accessory storage. See page 22 for options.

Highest quality materials.

As with our other Workstations, the OrthoDeck power channels are built to last, right here in the USA.

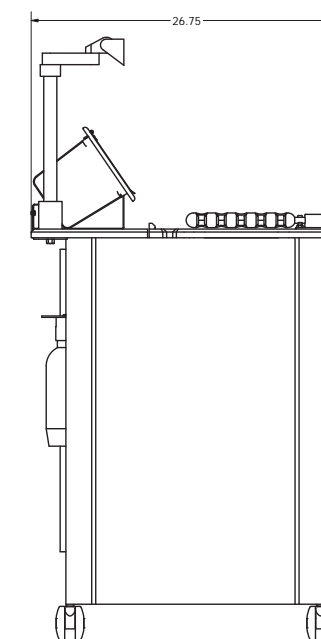
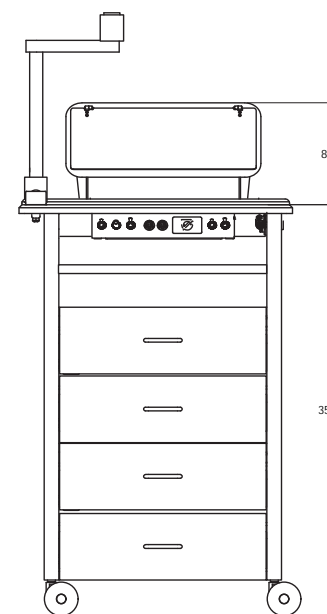
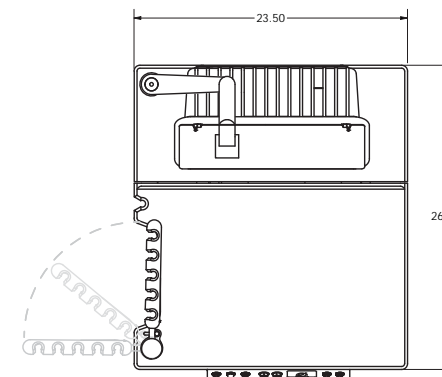
A large Corian work-surface, aircraft-grade aluminum framing and oversize casters for the mobile delivery version deliver unparalleled reliability and performance.

Standard Clinical Features

- 1 High Speed Air
- 1 Low Speed Air
- 1 A/W Syringe
- 1 HVE
- 1 Saliva Ejector
- 5-socket Articulating Handpiece Holder Arm
- 1 Milled Handpiece Holder
- EP Consumable Bin
- 2-liter Self-contained Water

Standard Configuration Features

- Keyboard Slide
- Monitor Arm
- 3 Power Outlets
- 3 USB Ports (power only)
- Slat Wall Side for Accessory Flexibility



Standard utilities connection for the OrthoDeck 24 Workstation is made in a toe-of-chair floor mounted junction box.

As options, the power channel may be pre-wired to receive an integrated Scaler at a later date. Additionally, the channel itself can be configured to allow hot-swapping of replacements (see below).

Electrical Specifications

120v AC, 60HZ, 8A
Cat 5 or better Data Jack

Air / Vacuum Specifications

Air: 3/8" Dental Style Female QD, 80 psi
Vacuum: 1/2" Copper or PVC Pipe

Plumbing Specifications

Self-contained bottle only

COLOR CHOICES

Corian Work Surface:

- Available in standard and premium EP Corian color choices.

Cabinet Color/Finish Selection:

- Cabinet available in standard EP color choices.
- or - Upgrade to woodgrain finish. (Standard EP selections)

UPGRADES - see page 15 for details

Power Channel

- Hot-swappable Channel

Scalers:

- Integrated Woodpecker Scaler
- Pre-wire only (Scaler)

Curing Light:

- The Cure TC-01 (Spring Health)

Fiber Optics:

- Fiber Optics Light Source & Power Pack

*Additional Handpieces/Utilities:

- 2nd Air/Water Syringe
- 1 Dedicated Air Syringe
- 2nd High Volume Suction
- Auxiliary Air/Water Ports

*Milled holder accommodates one add'l instrument

CONFIGURATION OPTIONS

Base style:

- Mobile, with locking, high-impact casters
- or - Fixed Base (no wheels)

Drawer options:

- 4 Drawers
- or - 3 Drawers & 1 Drop-front storage compartment



Monitor and computer not included.
Slat wall accessories sold separately (see p. 22).

All the **clinical power** of our OrthoDeck 24 in an even more **compact profile!**

At under 20 inches in width, the OrthoDeck 20 provides exceptional delivery in a very tight package.

Customize to suit *your* needs.

Slat Wall siding on the OrthoDeck 20 opens up a wide range of accessory storage. See page 22 for options.

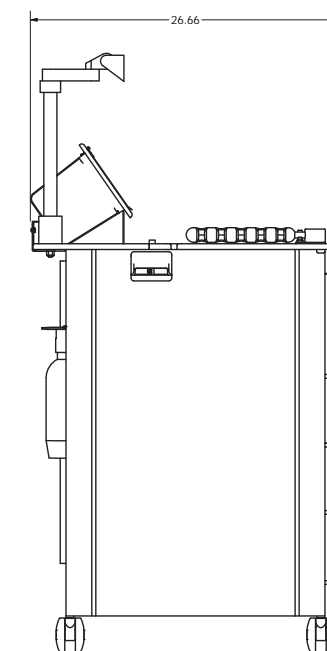
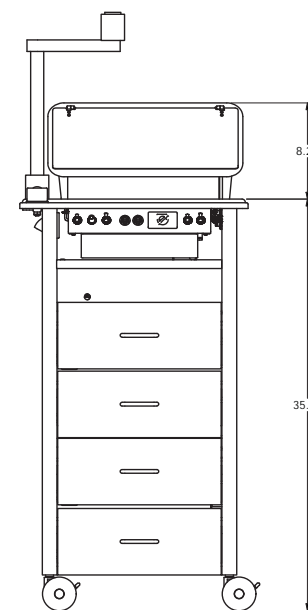
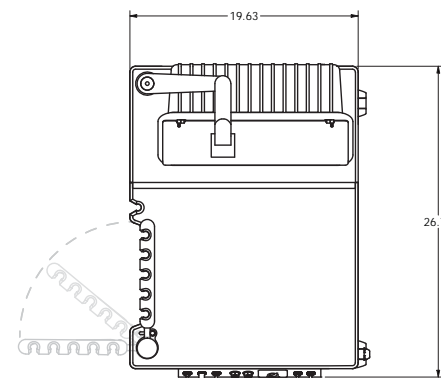


Standard Clinical Features

- 1 High Speed Air
- 1 Low Speed Air
- 1 A/W Syringe
- 1 HVE
- 1 Saliva Ejector
- 5-socket Articulating Handpiece Holder Arm
- 1 Milled Handpiece Holder
- EP Consumable Bin
- 2-liter Self-contained Water

Standard Configuration Features

- Keyboard Slide
- Monitor Arm
- 3 Power Outlets
- 3 USB Ports (power only)
- Slat Wall Side for Accessory Flexibility



Standard utilities connection for the OrthoDeck 20 Workstation is made in a toe-of-chair floor mounted junction box.

As options, the power channel may be pre-wired to receive an integrated Scaler at a later date. Additionally, the channel itself can be configured to allow hot-swapping of replacements (see below).

Electrical Specifications

120v AC, 60HZ, 8A
Cat 5 or better Data Jack

Air / Vacuum Specifications

Air: 3/8" Dental Style Female QD, 80 psi
Vacuum: 1/2" Copper or PVC Pipe

Plumbing Specifications

Self-contained bottle only

COLOR CHOICES

Corian Work Surface:

- Available in standard and premium EP Corian color choices.

Cabinet Color/Finish Selection:

- Cabinet available in standard EP color choices.
- or - Upgrade to woodgrain finish. (Standard EP selections)

UPGRADES - see page 15 for details

Power Channel

- Hot-swappable Channel

Scalers:

- Integrated Woodpecker Scaler
- Pre-wire only (Scaler)

Curing Light:

- The Cure TC-01 (Spring Health)

Fiber Optics:

- Fiber Optics Light Source & Power Pack

*Additional Handpieces/Utilities:

- 2nd Air/Water Syringe
- 1 Dedicated Air Syringe
- 2nd High Volume Suction
- Auxiliary Air/Water Ports

*Milled holder accommodates one add'l instrument

CONFIGURATION OPTIONS

Base style:

- Mobile, with locking, high-impact casters
- or - Fixed Base (no wheels)

Drawer options:

- 4 Drawers
- or - 3 Drawers & 1 Drop-front storage compartment

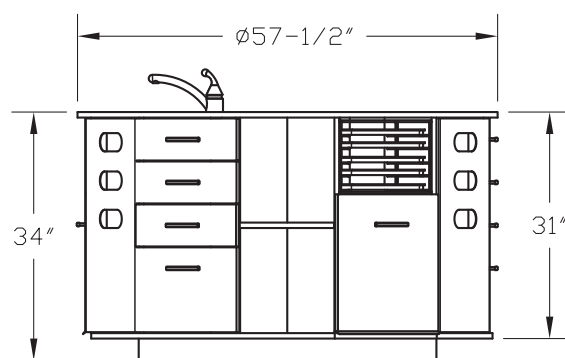
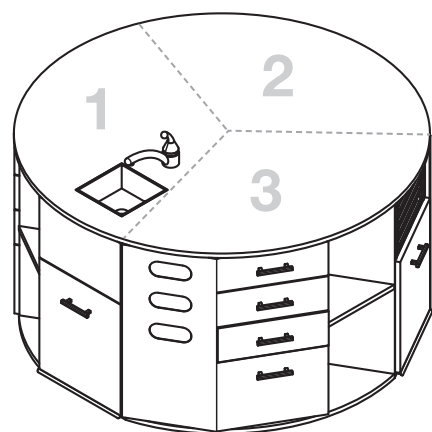


The OrthoHub and Spire delivery system define the **efficient use of space** and **ergonomic** productivity.

With easy, central **access to materials**, and a **natural patient flow**, orthodontic care requires less staff, less time, and less square feet.

Three Radial Stations, each providing:

- Glove box storage
- 4 Supply drawers
- Adjustable-height Shelving
- 9 gal. Trash pullout
- Tray or Cassette Rack (replaced with a Sink in one station)



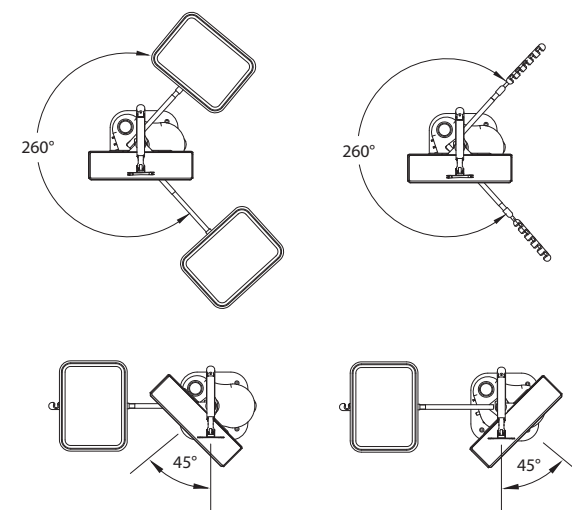
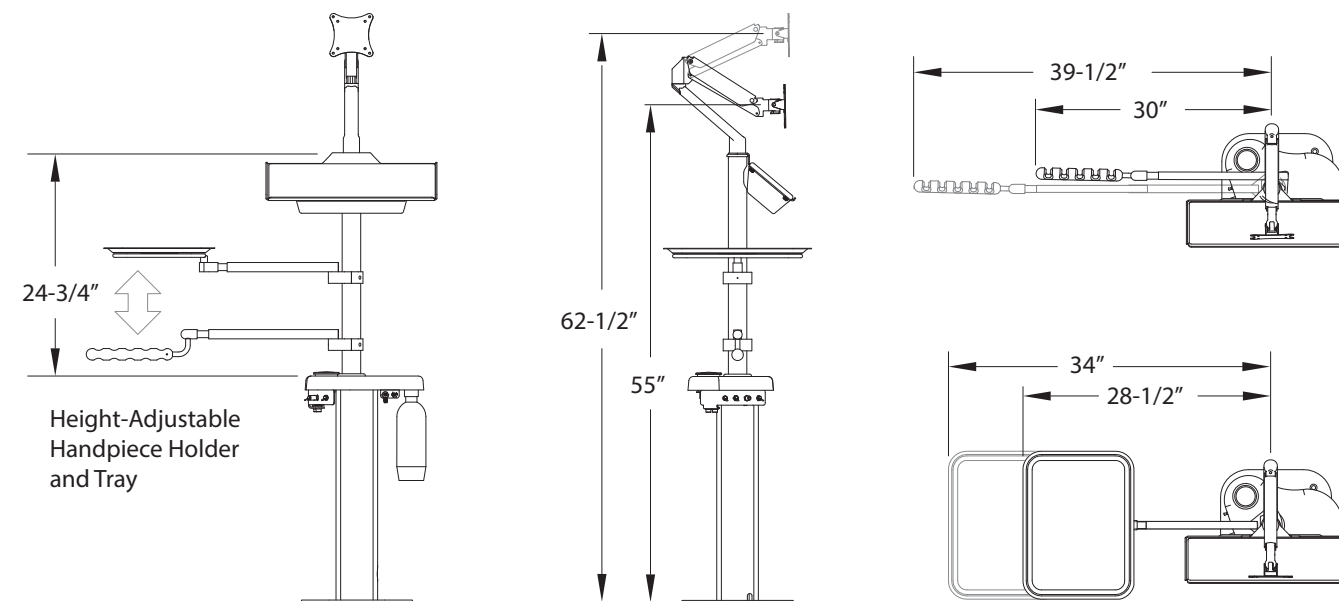
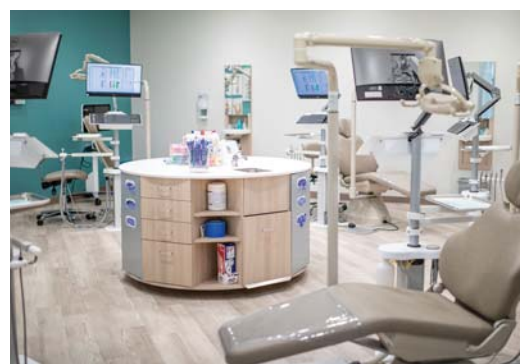
COLOR CHOICES

Cabinet Color/Finish Selection:

- Cabinet available in standard EP color choices.
- or - Upgrade to woodgrain finish. (Standard EP selections)

Corian Work Surface:

- Corian Surface available in White only



Electrical Specifications

120v AC, 60HZ, 8A
Cat 5 or better Data Jack

Air / Vacuum Specifications

Air: 3/8" Dental Style Female QD, 80 psi
Vacuum: 1/2" Copper or PVC Pipe

Plumbing Specifications

Self-contained bottle only

Standard Clinical Features

- 1 High-speed Air
- 1 Slow-speed Air
- 1 A/W Syringe
- 1 HVE
- 1 Saliva Ejector
- 5 Handpiece Holders
- 2-liter Self-contained Water
- Auxiliary Air/Water Ports

Standard Configuration Features

- 1 Medium size Surgical Tray
- Tray and Handpieces have over 2 feet of Height-adjustment range, and 260° Swing for optimum positioning
- Articulating Monitor Mount
- Rotating Keyboard Tray





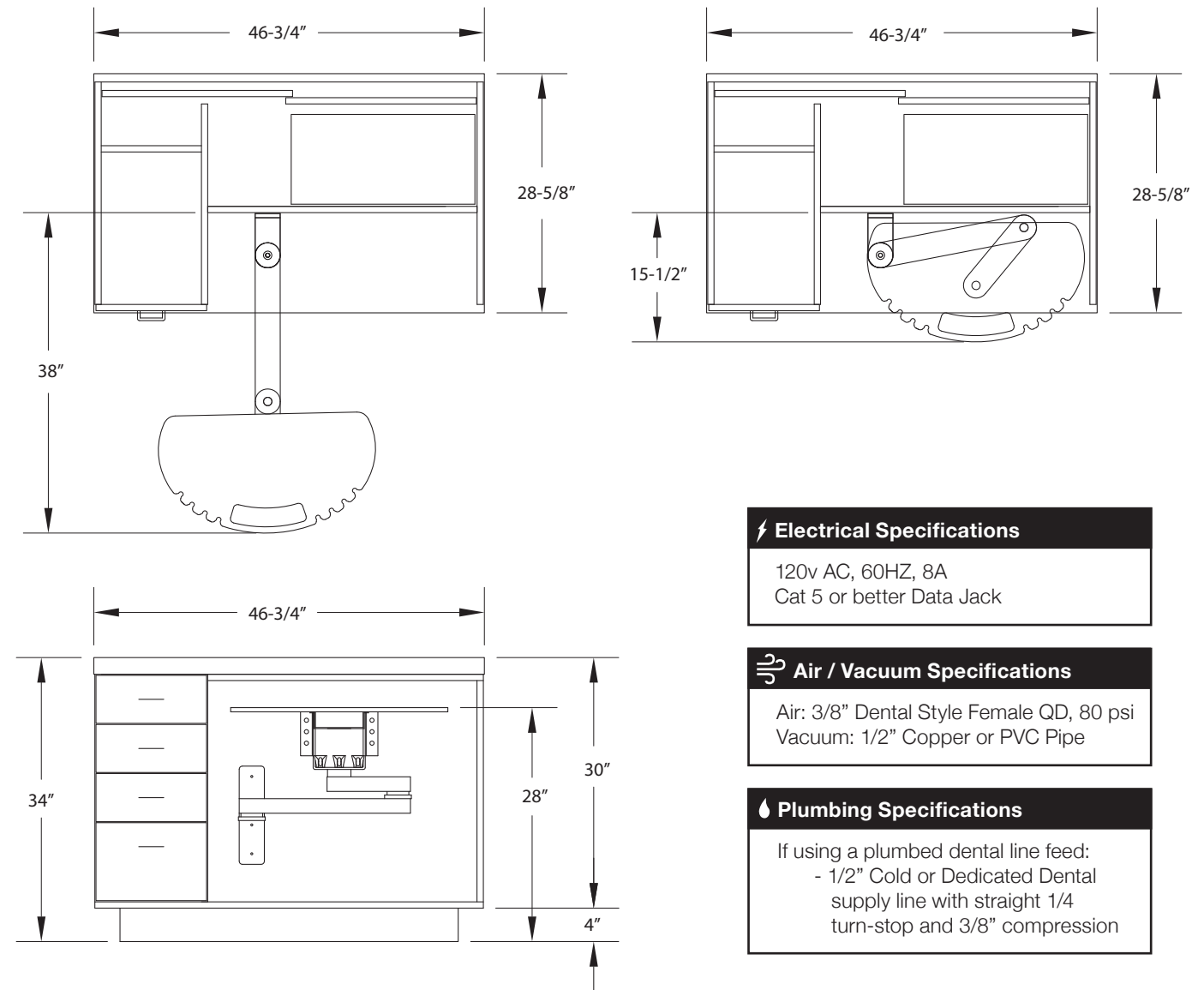
The **Harmony Headwall** combines the **ergonomic benefits** of all our delivery platforms with the **high-volume storage** needs of a busy Ortho/Pedo practice.

Flexible Delivery:

The large Corian work surface uses a 3-point swivel for **quick and effective** 2-handed / 4-handed / left / right **convertibility**.

Flexible Design:

With both side and rear access panels, the Harmony is perfectly suited to act as a **free-standing headwall** in a head-entry bay, or to be **wall-mounted** in a private room.



⚡ Electrical Specifications
120v AC, 60HZ, 8A Cat 5 or better Data Jack
🌀 Air / Vacuum Specifications
Air: 3/8" Dental Style Female QD, 80 psi Vacuum: 1/2" Copper or PVC Pipe
💧 Plumbing Specifications
If using a plumbed dental line feed: - 1/2" Cold or Dedicated Dental supply line with straight 1/4 turn-stop and 3/8" compression

Standard Clinical Features

- 1 High-speed Air
- 1 Slow-speed Air
- 1 A/W Syringe
- 1 HVE
- 1 Saliva Ejector
- 1 Recessed Bur Detent
- 8 Milled Handpiece Holders
- 2-liter Self-contained Water

Standard Configuration Features

- 3-point Swivel for flexible positioning
- Large Corian Work Surface & Countertop
- 16 gal. internal Trash Container
- 4 Storage Drawers
- Articulating Dual-Monitor Mount

COLOR CHOICES

Corian Work Surface:

- Available in standard and premium EP Corian color choices.

Cabinet Color/Finish Selection:

- Cabinet available in standard EP color choices.
- or - Upgrade to woodgrain finish. (Standard EP selections)

UPGRADES - see page 15 for details

Scaler:

- Parkell Turbo Sensor Scaler

Fiber Optics:

- Fiber Optics Light Source & Power Pack

Curing Light:

- The Cure TC-01 (Spring Health)
- or - The Cure TC-24A (Spring Health)

Water Feed:

- Plumbed Line & Bottle

Additional Handpieces/Utilities:

- 2nd Air/Water Syringe
- 1 Dedicated Air Syringe
- 2nd High-volume Suction



Shown with optional A/W Syringe & Staging Tray

Versatile, comfortable delivery that will elevate your patients...and your productivity!

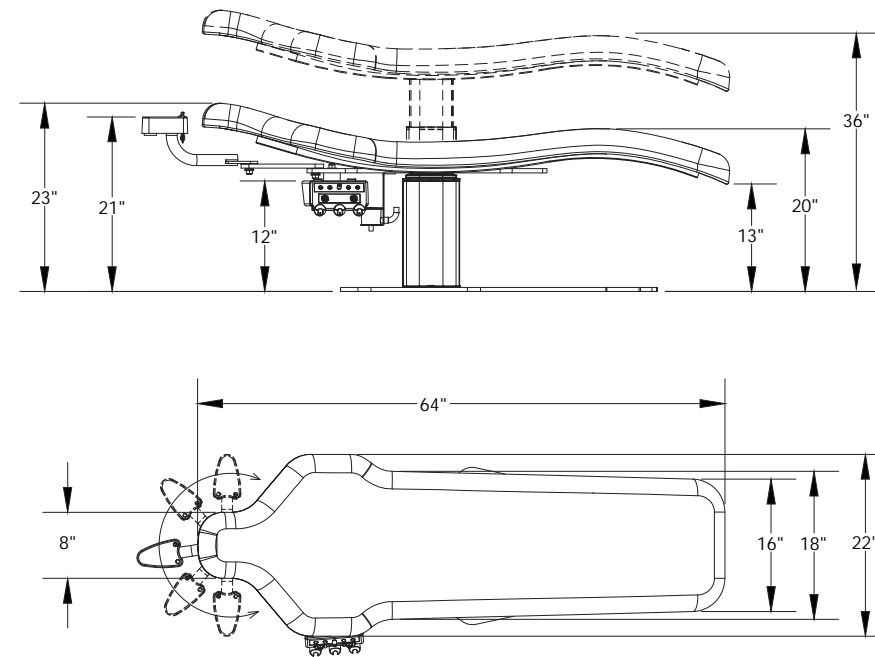
Our signature Ergonomic Products **compact delivery channel** and an **adjustable elevation range of 16"** allows much closer positioning to the patient than other benches.

The swiveling channel and assistant arm are equally adept at both four- and two-handed delivery – *and* allow for instant **left/right convertibility**.

An optional **staging tray** provides additional work surface for more extensive treatment, but folds down and away when not in use.

And the rich, durable **Ultraleather®** upholstery is available in a range of bright and **appealing colors** to wow your patients!

Dimensions, Features & Specifications



Utility Connections ⚡ ⌋ ⚡
Integrated floor box for power, air and vacuum connections

Electrical Specifications
120v AC, 60HZ
2 amp main fuse

Air / Vacuum Specifications
Air: 3/8" Compression, Female, 80 psi
Vacuum: 1/2" Copper or PVC stubbed

Plumbing Specifications
N/A - Integral Bottle only

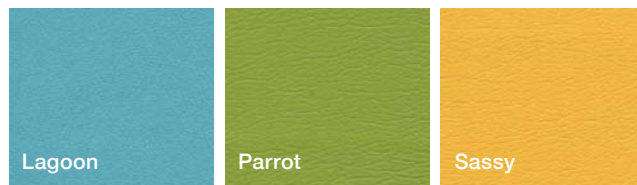
Standard Features

- 1 High-speed Air
- 1 Air/Water Syringe
- 1 Slow-speed Air
- 2 Liter Self-contained Water Supply
- 1 HVE
- Foot Pedal control
- 1 Saliva Ejector
- Removable Head & Neck Support
- Rich Ultraleather upholstery
- Dual-density Foam for better and more secure patient support
- Durable Mechanical Lift with igus® Carrier System

COLOR CHOICES

Upholstery:

- Available in fun, kid-friendly Ultraleather colors
- or - Call for additional options



UPGRADES

Utilities:

- 2nd HVE
- 2nd Air/Water Syringe on Doctor's Channel - or - 3rd Handpiece (High or Slow-speed)
- Staging Tray on Swivel-Arm

Fiber Optics:

- Fiber Optics Light Source & Power Pack

Configuration:

- Removable magnetic Staging Tray on swivel arm





Sterilization is the **heart** of your Practice. It's the hub around which your system flows – *or doesn't!* Maximize efficiency and productivity by treating this area as an **integrated design element**, not as an afterthought.

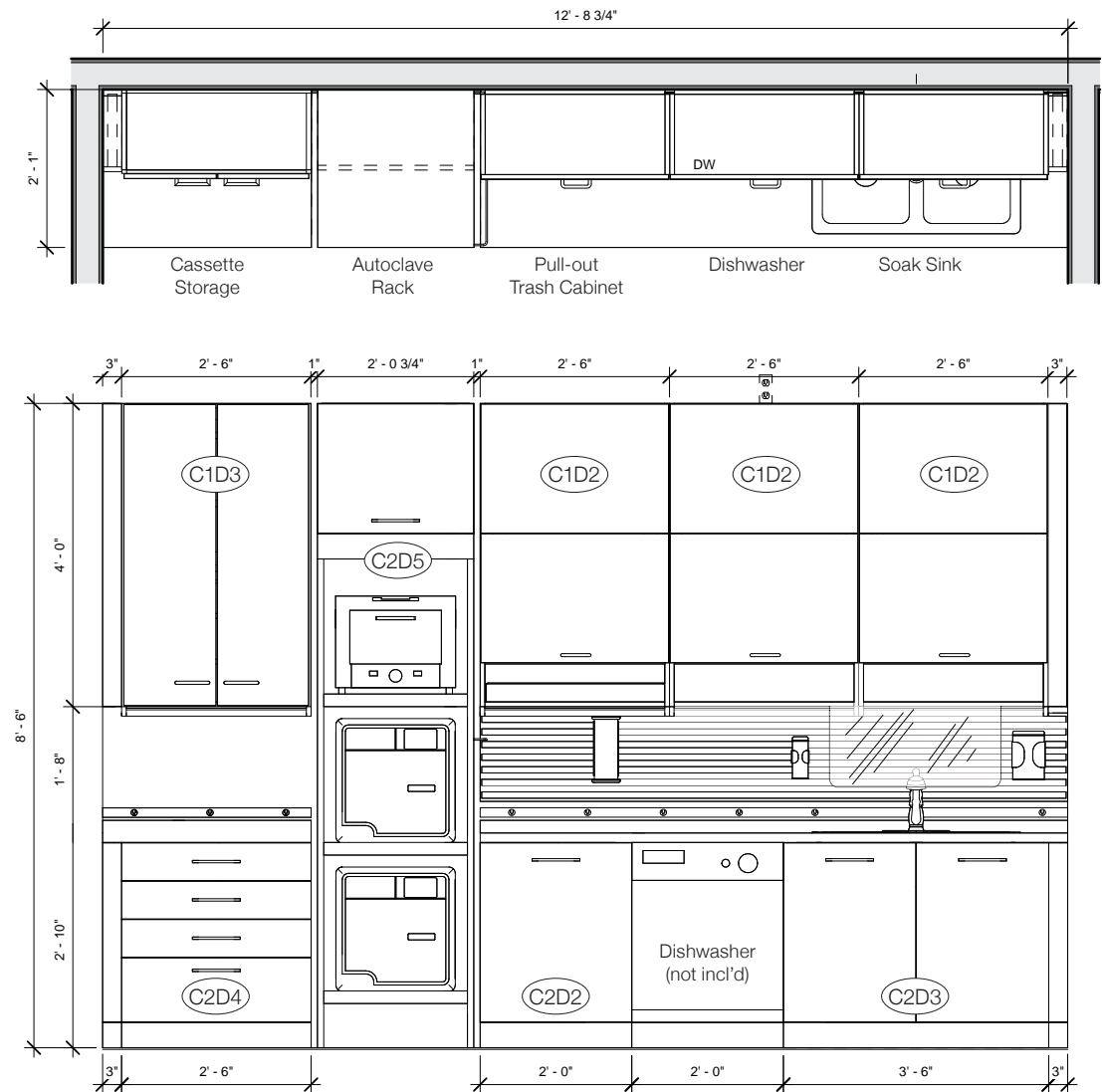
Our founder, Dr. David Ahearn, and the team at Design Ergonomics have been studying, improving and lecturing about the importance of a smooth sterilization/resupply system for almost 2 decades. Unfortunately, the industry continues to produce products that don't flow, and don't stand up to the challenges of the dental environment. Out of sheer frustration, we had to build what our clients have been asking for – *and give you what we use in our own practices daily.*



Desergo Steri Center installations provide larger work surfaces, arranged in a **linear flow** with **easy access** to instruments, supplies and storage. **No more bottlenecks!**

Details such as our Pulldown cabinetry, toe-pull trash bins, and Mobile Autoclave Rack increase your team's comfort, speed, and safety.

We build our Steri Centers in the USA to the highest standards of **durability** in **construction** and **materials**.



Countertops for the **Desergo Steri Center** line can be finished in a variety of materials. **We recommend CORIAN** for its **durability in a medical environment**. To **reduce your costs**, and **provide the best custom fit possible**, countertops and sinks should be sourced locally. Ask our clinical specialists for details.

COLOR CHOICES

Cabinet Color/Finish Selection:

- Cabinet available in standard EP color choices.
- **OR** - Upgrade to woodgrain finish. (Standard EP selections)

CONFIGURATIONS

Upper Cabinet Shelves

- Triple Pulldowns on Cassette and Storage Cabinets. Overall-height is 8'6", as shown on opposite page.
- Double Pulldowns on Cassette and Storage Cabinets. Overall-height is 7'6-3/4", and is ideal for offices with lower ceiling heights. (item numbers will be different in this case)



Finally, a solution to cabinet delamination, staining and peeling – a **chrome, stainless and aluminum, self-contained rack system** with marine-grade **Starboard** shelving.

This rack will **outlast** anything else on the market.

Our Autoclave Rack also includes **wheels** to allow easier access for cleaning.

INCLUDED COMPONENTS

Upper Cabinetry (left to right)

- 1 30" Clean Cassette Triple Pulldown (C1D3)
- 1 Autoclave Rack (C2D5). Instruments not included.
- 3 30" Sterilization Triple Pulldowns (C1D2)

Base Cabinetry (left to right)

- 30" 4-drawer Cabinet (C2D4)
- 20 gal. pull-out Trash Cabinet (C2D2)
- Space for 24" Dishwasher (washer not included)
- 42" Double swing-door under-sink Storage (C2D3) (sink, drain and faucet not included)

Middle (left to right)

- Full-length, under-cabinet lighting
- Over 7-1/2' of Slat Wall
- Polycarbonate Splash-guard

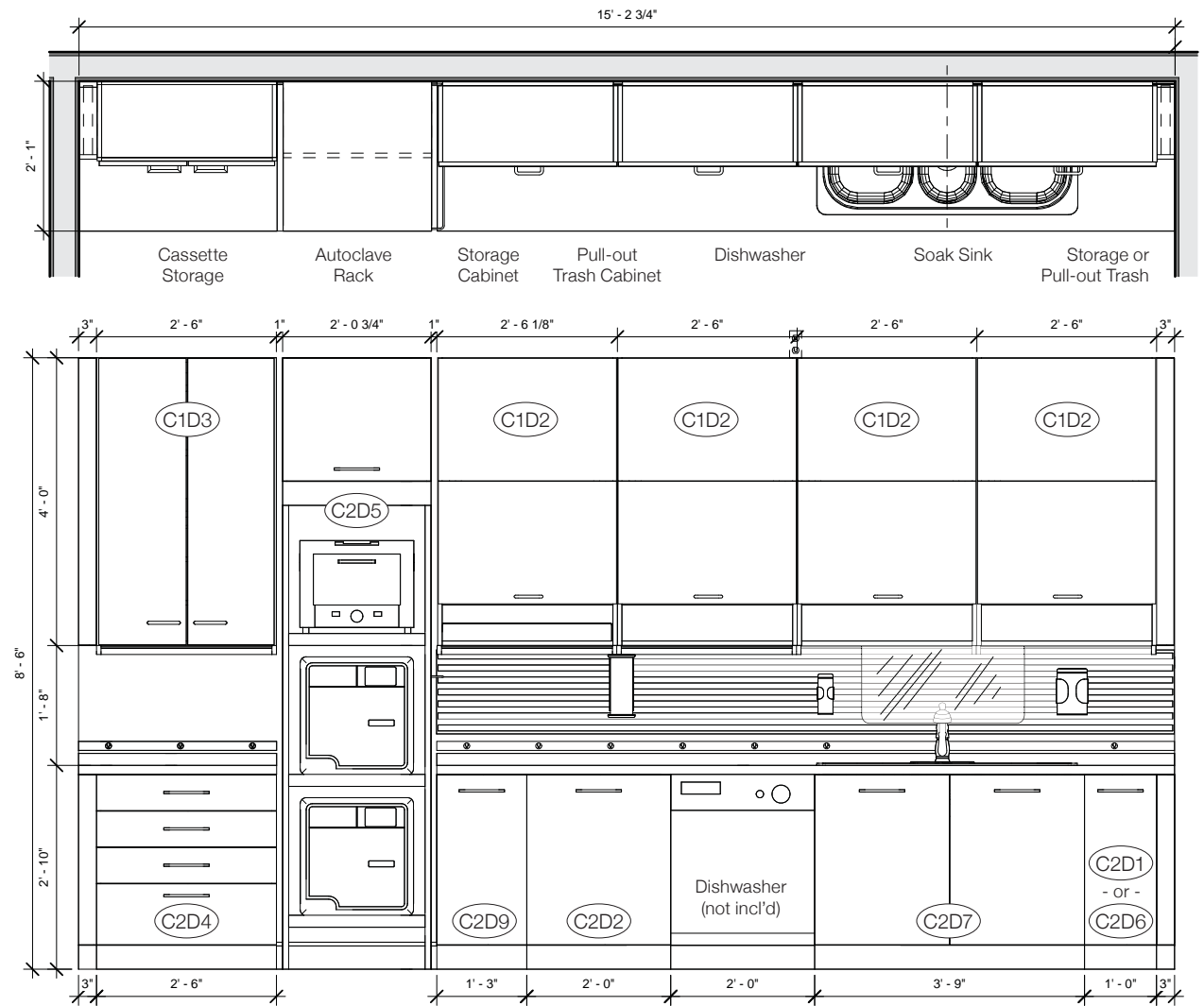
Slat Wall Accessories - Choose any 4 items (see page 22 for details):

- Glove Box Holder, Sharps Holder, Wipes Holder, Remote Holder, Pad & Pen Holder, Gift Bag Bracket, Printer Shelf, Monitor Bracket



The **Desergo Enhanced Steri Center** adds **significant functionality** with a **minimal impact** to floorspace.

Enhancements include an additional cabinet for bottle storage or a cassette wrap hanger, optional extra trash pull-out, and the choice of a triple sink for increased efficiency.



Countertops for the **Desergo Steri Center** line can be finished in a variety of materials. **We recommend CORIAN for its durability in a medical environment.** To **reduce your costs**, and **provide the best custom fit possible**, countertops and sinks should be sourced locally. Ask our clinical specialists for details.

COLOR CHOICES

Cabinet Color/Finish Selection:

- Cabinet available in standard EP color choices.
- **OR** - Upgrade to woodgrain finish. (Standard EP selections)

CONFIGURATIONS

Upper Cabinet Shelves

- Triple Pulldowns on Cassette and Storage Cabinets. Overall-height is 8'6", as shown on opposite page.
- Double Pulldowns on Cassette and Storage Cabinets. Overall-height is 7'6-3/4", and is ideal for offices with lower ceiling heights. (item numbers will be different in this case)

Far Right Cabinet

- 12" Swing-door Storage Cabinet (C2D1)
- or - 10 gal. Pull-out Trash (C2D6)



Triple Pulldowns dramatically **increase storage** space while making access to supplies both **easier and safer**.

INCLUDED COMPONENTS

Upper Cabinetry (left to right)

- 1 30" Clean Cassette Triple Pulldown (C1D3)
- 1 Autoclave Rack (C2D5). Instruments not included.
- 4 30" Sterilization Triple Pulldowns (C1D2)

Base Cabinetry (left to right)

- 30" 4-drawer Cabinet (C2D4)
- 15" Swing-door Storage Cabinet (C2D9)
- 20 gal. pull-out Trash Cabinet (C2D2)
- Space for 24" Dishwasher (washer not included)
- 45" Double swing-door under-sink Storage (C2D7) (sink, drain and faucet not included)
- 12" swing-door Cabinet (C2D1), or 10 gal. pull-out Trash (C2D6)

Middle (left to right)

- Full-length, under-cabinet Lighting
- Over 10' of Slat Wall
- Polycarbonate Splash-guard

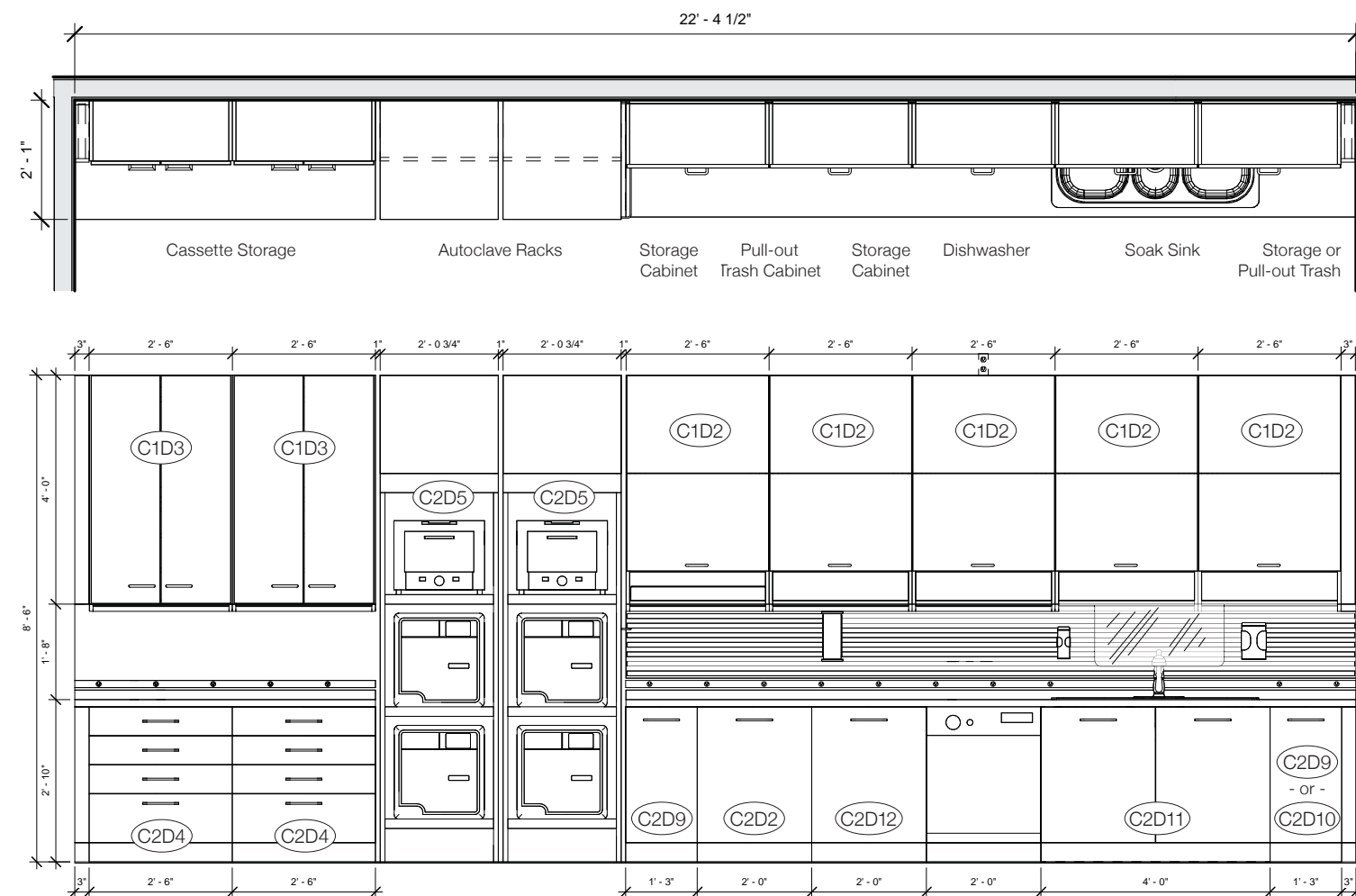
Slat Wall Accessories - Choose any 6 items (see page 22 for details):

- Glove Box Holder, Sharps Holder, Wipes Holder, Remote Holder, Pad & Pen Holder, Gift Bag Bracket, Printer Shelf, Monitor Bracket



When you need high-flow *at the highest volume* the **Desergo Elite Steri Center** is the answer. **Go big or go home.**

With double the autoclave and instrument washing capabilities, 30 gallons (or more) of trash management, and twice the clean storage capacity, the Elite will provide ample through-put for the busiest of dental practices.



COLOR CHOICES

Cabinet Color/Finish Selection:

- Cabinet available in standard EP color choices.
- or - Upgrade to woodgrain finish. (Standard EP selections)

CONFIGURATIONS

Upper Cabinet Shelves

- Triple Pulldowns on Cassette and Storage Cabinets. Overall-height: 8'6"
- Double Pulldowns on Cassette and Storage Cabinets. Overall-height is 7'6-3/4", and is ideal for offices with lower ceiling heights. (Item numbers will be different in this case.)

Autoclave Rack

- 2 racks as shown
- or - Single, 36" wide rack for larger autoclave (ie: Tuttnauer MDMaxx)

Far Right Cabinet (C2D1)

- 15" Swing-door Storage Cabinet (C2D9)
- or - 10 gal. Pull-out Trash (C2D10)



Countertops for the **Desergo Steri Center** line can be finished in a variety of materials. **We recommend CORIAN for its durability in a medical environment.** To **reduce your costs**, and **provide the best custom fit possible**, countertops and sinks should be sourced locally. Ask our clinical specialists for details.

INCLUDED COMPONENTS

Upper Cabinetry (left to right)

- 2 30" Clean Cassette Triple Pulldowns (C1D3)
- 2 Autoclave Racks (C2D5). Instruments not included.
- 5 30" Sterilization Triple Pulldowns (C1D2)

Base Cabinetry (left to right)

- 2 30" 4-drawer Cabinet (C2D4)
- 15" Swing-door Storage Cabinet (C2D9)
- 30 gal. pull-out Trash (C2D2)
- 24" Swing-door Storage Cabinet (C2D12)
- Space for 24" Dishwasher (washer not included)
- 48" Double swing-door under-sink Storage (C2D11) (sink, drain and faucet not included)
- 15" swing-door Cabinet (C2D9), or 10 gal. pull-out Trash (C2D10)

Middle (left to right)

- Full-length, under-cabinet Lighting
- Over 12-1/2' of Slat Wall
- Polycarbonate Splash-guard

Slat Wall Accessories - Choose any 8 items (see page 22 for details):

- Glove Box Holder, Sharps Holder, Wipes Holder, Remote Holder, Pad & Pen Holder, Gift Bag Bracket, Printer Shelf, Monitor Bracket



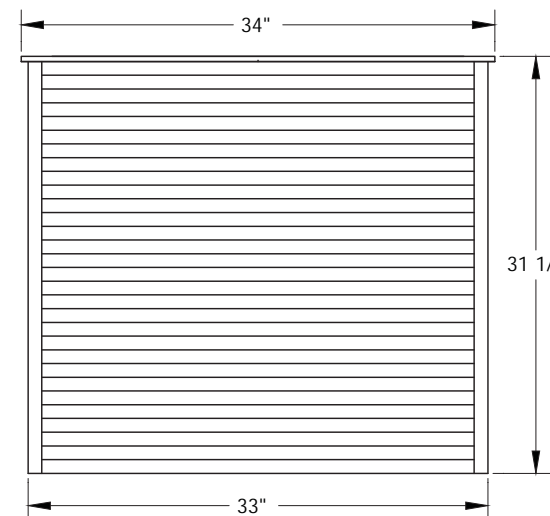
Customize your clinical spaces to create an efficient and productive operatory environment suited to your specific needs.

The accessories shown here are available for the OrthoDeck 20 and 24 as well as the Desergo Steri Centers.

Slat Wall may also be purchased to enhance existing areas in your practice. Ask one of our Clinical Specialists for details.



Aluminum Slat Wall available in two configurations:



M3C1 Universal Style Slat Wall
Includes side rails & Corian top cap



M3D1 Manhattan Style Slat Wall
Includes side rails

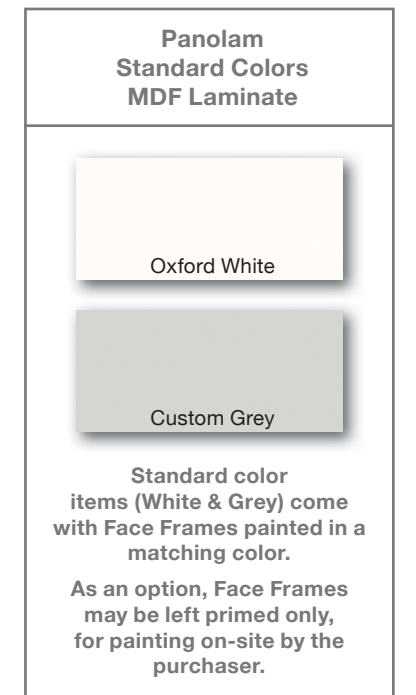


Selecting an EP cabinet color early is very important as all the colors and materials throughout the office need to be coordinated as the interior design process moves forward.

Treatment Rooms: Panolam or StevensWood laminates will be used for all head wall cabinetry, and the insides of InWall Workstations and InWall Comfort Stations (with sinks) in both Hygiene and doctor rooms.

Lab & Sterilization: Most clients opt for custom laminated cabinets for their sterilization areas, which will coordinate nicely with the colors shown below. For inventory cabinetry, our clients typically use the EP 32" Resupply PullDown.

EP RapidCarts™: RapidCarts™ are also made with Panolam or StevensWood, and come standard with CORIAN tops.



FACE FRAME OPTIONS: PAINTED OR PRIMED (to be painted on-site)

If choosing to leave Face Frames primed only, purchaser is responsible for all finish-painting.

**Upgrade charge applies to all cabinets, InWalls or RapidCarts where a woodgrain finish is selected as an option.



Regional Centers of Excellence



Want to See the Industry's
Most Productive Equipment
in Action?



ergonomic
products

Performance Without
Compromise™

Ask us to arrange a visit to one of our **Regional Centers of Excellence** or **Spotlight Clients**. These exceptional doctors will be happy to show you the impact our **high-performance equipment** has had on their Practices.

With locations across the nation, you aren't far from seeing what a difference it makes when **Dentists design dental equipment**.

950-156revC

www.ergonomic-products.com