



ergonomic products™  
Performance Without Compromise®

2019 Productivity Solutions



**TBL**co Lighting Solutions

The following pages excerpted from Ergonomic Products catalog: [950-076revD](#) [Click here to download full catalog](#)

[www.ergonomic-products.com](http://www.ergonomic-products.com)



**TBL**co

All-in-one  
functionality that  
is **brilliant**,  
in every sense  
of the word.



## Aurora LS™

A truly exceptional lighting solution addresses both clinical needs and patient comfort – which is why Ergonomic Products has developed the TBLco brand (“The Best Light”), and bring you the Aurora LS.

The Aurora LS is the industry’s only fully integrated light incorporating full room, spot, and intraoral lighting with patient media. This unit condenses all illumination needs into a single, elegant fixture.

The Aurora’s dimmable room strips cast light both up and to the sides for an even, reflected coverage – making patients more comfortable and reducing clinician eye-strain.

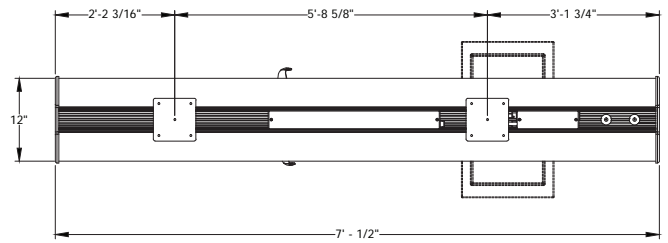
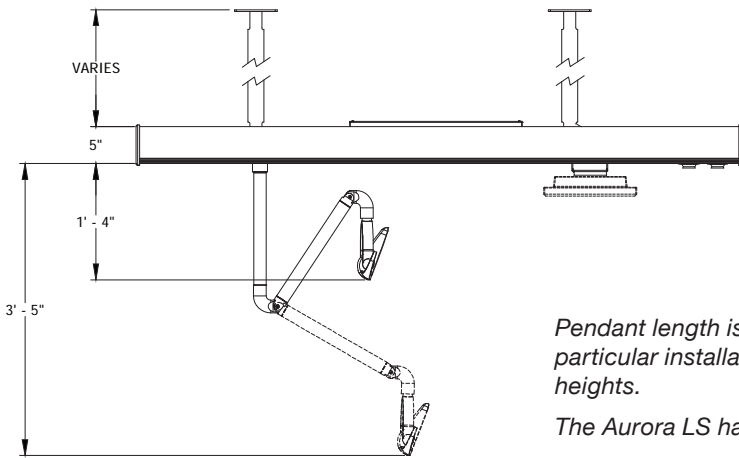
Using all LED lights, the Aurora LS is significantly more energy efficient than comparable products, generates less heat, and conforms to the most stringent state regulations.

### Standard Features

- All LED lighting
- 7000-32000 lux intra-oral light
- Built-in touchless On/Off control
- Tune-able wave-length allows intra-oral use with a range of curable composites
- Continuous 360° light-arm rotation
- Dimmer-controlled, reflected general lighting for an improved patient experience
- 2 high-intensity task lights, with independent direction and focus adjustment
- Industry exclusive igus® cable management prevents cord binding and wear
- Adjustable VESA 100 monitor bracket



## Dimensions & Specifications



Pendant length is dependent on ceiling height and is fabricated to suit your particular installation. You will need to provide structural and finished ceiling heights.

The Aurora LS has a minimum ceiling height requirement of 9 feet.

### ⚡ The Aurora LS Track Light has 4 individual circuits as listed below:

#### LED General Room Lighting:

120v, 60hz  
198w\*  
Color Temp: 4000k  
Dimmable: 0-10vΩ

#### LED Oral Cavity Light:

120v, 60hz  
10w  
Color Temp: 4000k & 5500k  
Dimmable: No

#### LED Task Lighting (2):

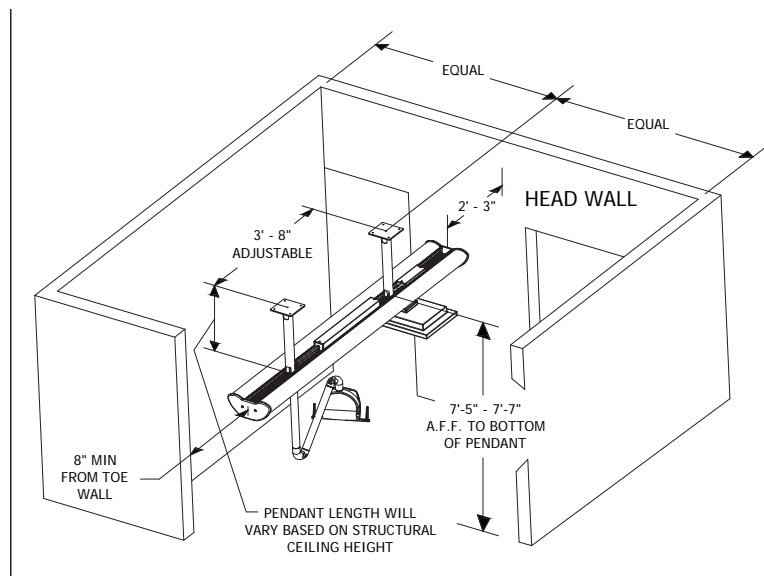
120v, 60hz  
8w, 3-4vdc, 680mA  
Color Temp: 4000k  
Dimmable: No

#### TV Outlet:

120v, 60hz  
300w

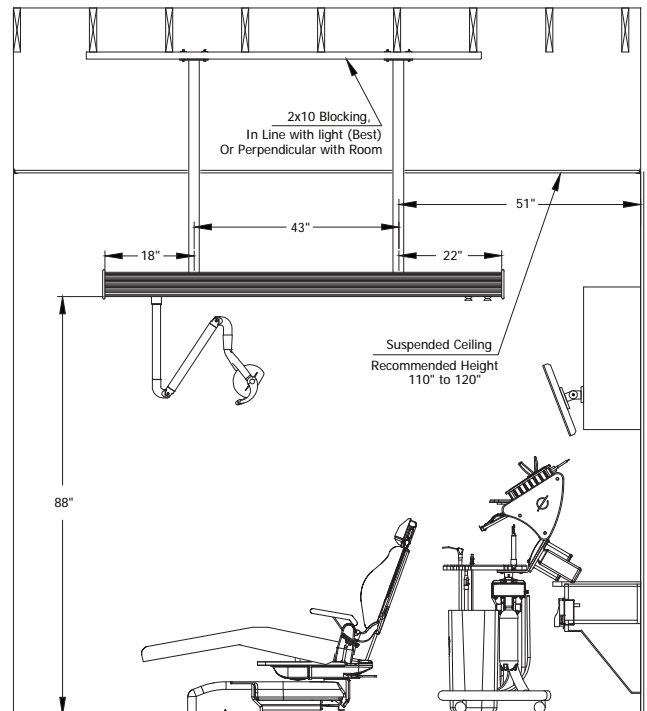
\*reducible to 120w for CA 24 compliance

## Ideal Room Location



The Aurora LS is intended for center-line mounting in the operatory.

As a reflected-light system, it requires pendant mounting. Ideal height from floor to the bottom of the pendant plate is between 7'5" and 7'7".





Our intra-oral light head, on a **simple, compact & reliable** track for **exceptional lighting** at an **affordable price**.

# TBL<sub>CO</sub>

## *FastTrack LS*™

**The FastTrack LS is an extremely cost-effective track-light that provides high-quality features at a very attractive price.**

Designed with industry-leading, tune-able wave-length LED output, the FastTrack LS provides enhanced visual acuity while reducing heat generation and lowering energy costs.

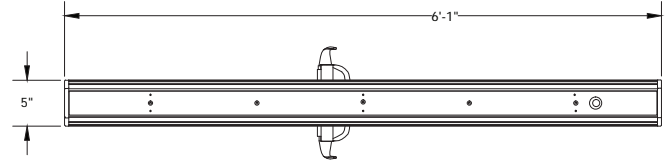
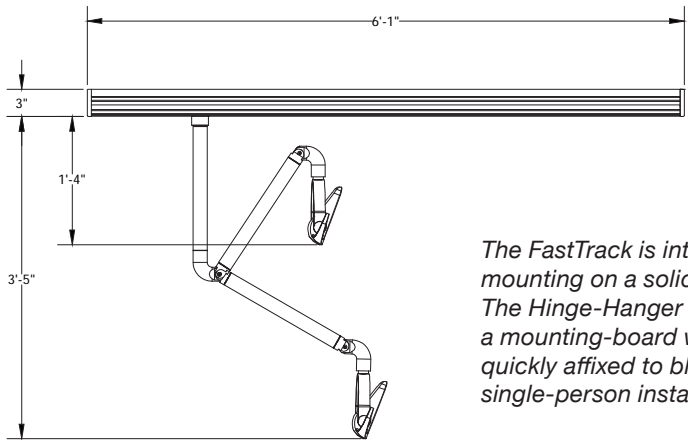
And our touch-less light controls make asepsis management as simple as a wave of the hand!

With its milled aluminum trolley, single-piece extrusion body, 360° arm-rotation and an advanced igus® cable management system, this light is built to out-perform – and out-last – the competition.

### Standard Features

---

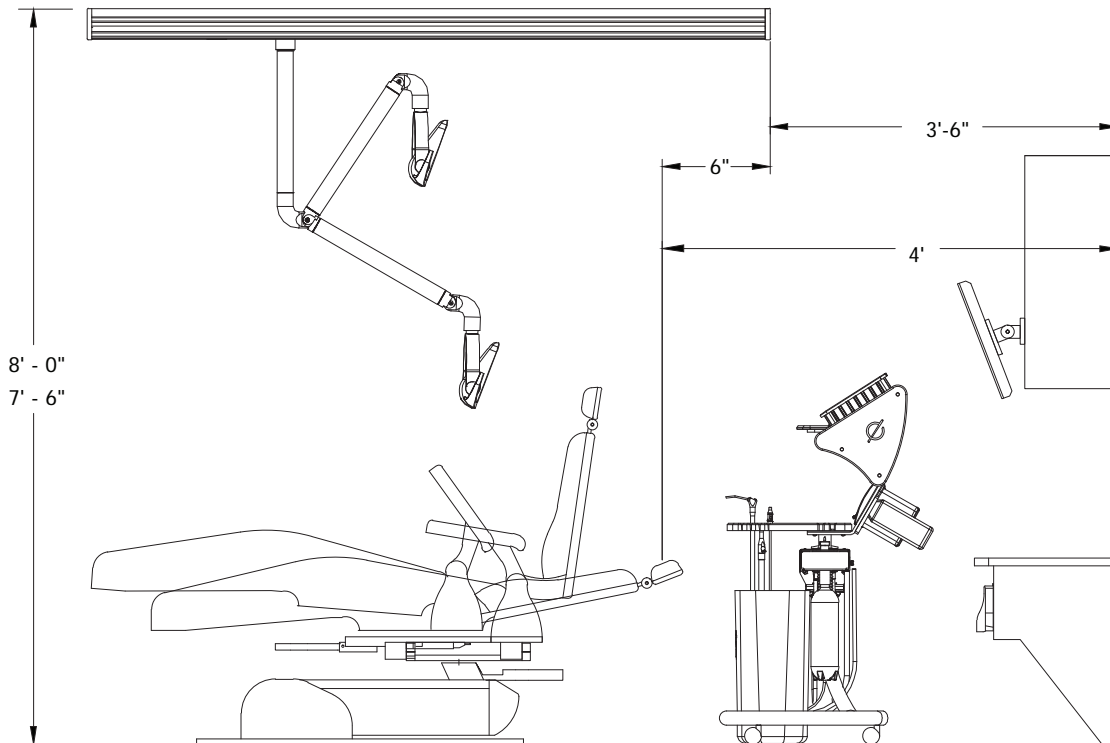
- All LED lighting
- 7000-32000 lux intra-oral light
- Built-in touchless On/Off control
- Tune-able wave-length allows intra-oral use with a range of curable composites
- 360° light-arm rotation
- Single-piece aluminum extrusion body
- Milled billet aluminum trolley
- Industry exclusive igus® cable management prevents cord binding and wear



The FastTrack is intended for mounting on a solid, flat ceiling. The Hinge-Hanger system includes a mounting-board which may be quickly affixed to blocking allowing single-person installation.

⚡ Electrical Specifications	
120v, 60hz	
10w	
Color Temp: 4000k & 5500k	

## Ideal Room Location



The FastTrack is intended for center-line mounting in the operator.

The layout above is represents a typical EP Workstation-equipped operator. Headwall-to-Track distances may vary in other environments. If so, position light based on reclined patient-chair head-rest as indicated.